

Thin Heating Cables
ELEKTRA DM
ELEKTRA UltraTec



- single-side powered,
power output 10 W/m

Installation manual  UK 

Instrukcja montażu  PL

Инструкция по монтажу  RU

Application

The thin heating cables ELEKTRA DM and ELEKTRA UltraTec are primarily intended for use in rooms with a tile or natural stone floor covering.

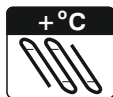
Additionally, they can be used with floor covering materials as:

- fitted carpet,
- vinyl flooring,
- parquet or other wooden covering,
- laminate.

Fitted carpets and Vinyl flooring, however, should be suitable for use with electric underfloor heating and bear the following markings:



Fitted carpet



Vinyl flooring

The thin heating cables can be laid directly on concrete floors, self-levelling concrete slab, as well as old ceramic tiles, terrazzo or water resistant wooden floors.

It is advisable that heated floors have a layer of thermal insulation to avoid heat loss. The thin heating cables are laid in a thin layer of flexible adhesive or self-levelling concrete slab. They are usually used as a supplementary floor heating system, in order to provide the user with a warm floor. They, can however, be used as a primary heating system.

Heating Cables

ELEKTRA

Product Features

- Available as ready-to-install sets, with the lengths from 8.5 to 203 m
- Terminated at one side with a screened 2.5 m long power supply cable, and with a joint at the other side
- Power output: 10 W/m
- Power supply: 230V 50/60 Hz
- The heating cables are screened, and power supply connected with a RCD providing full anti-shock protection

ELEKTRA DM heating cables:

cable external diameter – 4.3 mm

ELEKTRA UltraTec heating cables:

cable external dimensions – 2 x 3 mm



- 1 "Cold tail" power supply cable
- 2 Heating cable
- 3 Joint connecting the heating cable with the power supply cable

Because of the thin nature, **ELEKTRA UltraTec** cables can be used in applications where elevating the floor level is not an option.

Note:



The power output of the heating cables can vary +5%, -10% from the provided nominal specifications.

The heating cables are suitable for a 230V/50Hz rated voltage.

The following symbol is placed on the rating labels of the ELEKTRA heating cables:



Single-side powered heating cable

Materials and Tools

required for the heating cables installation:

- the ELEKTRA heating cable – included
- a 1.5 m long flexible protective conduit – included
- a 2.5 m long flexible protective conduit terminated at one end with a rubber stopper – included
- European deep installation box – included
- installation tape – included
- temperature controller – included **option**

- scissors/cutters
- ohmmeter (multimeter)
- insulation resistance tester
- tools for cutting chases in walls and floors

Caution:



Never cut the heating cables.

Never shorten the heating cables.

Only cold tails may be made shorter, if necessary.

Never attempt to squash the “cold tail”.

Caution:



Never attempt a self-repair of the heating cables. If the heating cables are damaged, please contact an ELEKTRA authorized installer.

Never expose the heating cables to excessive stretching, stress or hit them with sharp tools.

Never attempt to lay the ELEKTRA DM heating cable if the ambient temperature drops below -5°C (for the UltraTec cable: -20°C).

Never install the heating cables in places where fixed furniture is planned (e.g. floor-level wardrobes, kitchen units, baths).

Never lead the end joint and the connecting joint between the heating cable and the power supply conductor out of the surface. Both joints must be placed within the layer of the concrete or self-levelling slab.

Never bend the joint and end seal.

Never use installation materials other than those specified in the installation manual.

Never use nails or screws of any kind for installation of the heating cables.

Caution:



Always install the heating cables according to the installation manual.

Electrical connection of the heating cables must be **always** performed by a certified electrician.

The minimum distance between the heating cables and other heat sources (e.g. hot water pipes) should **always** exceed 25 mm.

General Information

When selecting your heating cable, follow the instructions below:

1. decide on the main purpose of your heating system – is it the warm floor you would like to achieve, or rather is your system going to be the primary heating source,
2. decide on the floor finish.

Supplementary heating warm floor

To achieve the warm floor, it is normally sufficient to install the heating cables of the following heat output:

- 100 – 120 W/m² – for the stone or ceramic floor finishing,
- 100 W/m² – for the thin wood parquet floor finishing, laminates, carpets or vinyl flooring.

Installation of the higher heating power capacity per m² (for tile or marble floorings only) will be necessary to shorten the floor warm-up time in cases, where the heating will not operate continuously, e.g. in hotel rooms, offices etc., and in cases where programmable temperature controllers with a setback function.

Primary heating

If your heating system is to be the primary heat source in the room, the necessary heat output will depend on:

- the climate zone of your location,
- building's insulation,
- windows' heat loss,
- the floor surface available for the heating cables (free from fixtures).

Primary heating (a sole heat source) requires having your heating system and its designed controls by a qualified designer, dealer or installer.

Stone and ceramic floors

The heating cables must not be laid with distancing less than:

- 4 cm for the UltraTec heating cable,
- 5 cm for the DM heating cable.

Thin parquet, laminate, carpet and PVC floors

With such floors, the min. spacing of the heating cables must not drop below 10 cm – this will ensure the heat output of 100 W/m² of the floor.

Heating cables can constitute the primary heating system only when the heat output exceeds the heat loss of the building.

Heating Cables

ELEKTRA

For the proper selection of the heating cable, first calculate its required heat output:

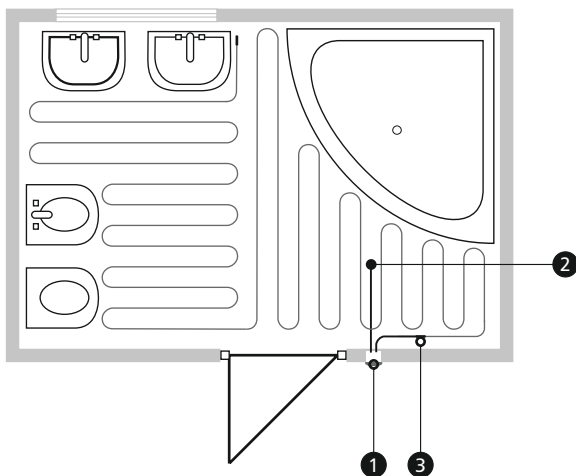
$$\text{Heating cable output} = P \times S$$

where:

P – assumed wattage per m² of the floor

S – free floor surface available for heating

Then, select the cable of the wattage closest to the just calculated.



- 1 Electric box
- 2 Temperature sensor
- 3 Joint connecting the heating cable with the power supply cable

Temperature Regulation

A temperature controller is a core component of any floor heating. The controller connects the heating cable with the electrical system and ensures that the required temperature of the floor or ambient air in the room is maintained.

- If the heating cables serve as a supplementary heating source in the room and the user desires merely to enjoy a warm floor feeling, then a controller equipped with a floor temperature sensor is sufficient to keep the required temperature of the floor.
- If the heating cables are the primary heating source in the room, then what the user usually wants is the optimum ambient temperature. In this case, a temperature controller that can measure air temperature should be installed. Such a temperature controller should be equipped with both an air temperature sensor and an additional floor temperature sensor (while measuring the ambient temperature, it protects the floor and the heating cable from overheating).

For temperature control, either a manual electronic controller may be used which keeps constant temperature or a programmable electronic controller which can be programmed in a daily and/or a weekly cycle.

Heating Cables

ELEKTRA

Heating type	Temperature controller type	
	Manual	Programmable
Primary	ELEKTRA OTD2 1999	ELEKTRA OCD4 1999 OCD5 1999
Supplementary for the warm floor	ELEKTRA OTN 1991 OTD2 1999	ELEKTRA OCD4 1999 OCD5 1999 DIGI2p



**Temperature
sensor**

Temperature controller
may be installed under a common faceplate
with a lighting switch (not applicable in the UK)

Installation

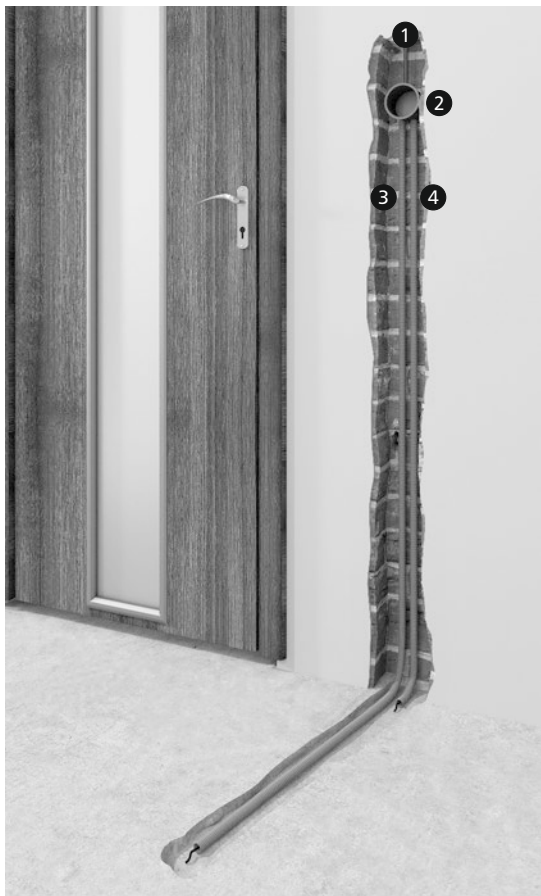
Step I – Preparation

As preparation for the installation take the steps as below.

1. Choose a location for the temperature controller. For aesthetic and practical reasons, it is best to install the controller next to the lighting switches (e.g. under a common faceplate; not in the UK).
2. Install a deep installation box for the temperature controller.
3. Install a suitable 3-wire power supply to the thermostat position/installation box. Connect the power cable.
4. Install 2 flexible conduits (diameter 15 mm) between the installation box and the floor. The flexible conduits should be laid in previously made chases in the wall and the floor. The floor groove should have a minimum depth of 15 mm and extend into the heated surface for at least 500 mm.
Later, when the heating cable is installed, the temperature sensor cable will be fed into one of the flexible conduits (2.5 m), and the cable's cold tails to the other (1.5 m).

Heating Cables

ELEKTRA



- ① Power supply cable
- ② Deep installation box
for the temperature controller
- ③ Flexible protective conduit
for the floor temperature sensor
- ④ Flexible protective conduit
for the cable's cold tails

Caution:



Do not bend the flexible protective conduits at 90° angle at the junction of the wall and floor - keep the curve shape.

The curve shape of the protective conduits guide would enable the easy exchange of the temperature sensor, if required.

If the heated area is not adjacent to the temperature controller and the protective conduit is extended into the floor for more than 1.0 m, it may be necessary to install an additional installation box close to the floor. Such solution would facilitate the easy exchange of the temperature sensor.

A draw wire is a flexible wire positioned inside the protective conduits which helps feeding the floor sensor cable together with the cold tails into the deep installation box easily, just after the plastering or laying the tiles.

Step II – Laying the heating cable

A floor prepared for heating cable laying should be smoothed, cleaned and primed, which will enable hot-glueing the cable to the floor surface.

Before attempting to install the selected heating cable:

- calculate the required spacing,
- indicate on the subfloor predicted position of the fixtures (closets, cupboards, baths, shower bases or toilets).

Required spacing for heating cables can be assessed by drawing the cable layout, or – alternatively – by applying the following formula:

$$a-a = \frac{S}{L+0.5P}$$

where:

a-a – cable spacing

S – free floor surface available
for cable heating

L – length of the heating cable

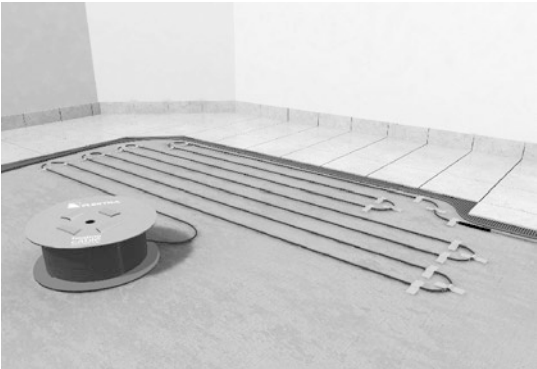
P – free floor perimeter available
for cable heating

Start laying the heating cable from the supply conductor's end to ensure that it can freely reach the electrical box.

The heating cable should be laid on the subfloor avoiding the predicted location of the room's fixtures, and then preliminarily fixed to the subfloor with self-adhesive installation tape, retaining the previously determined spacing.

The heating cable should be distanced from the walls and fixtures by the same spacing as retained between the cable runs.

If the heating cable has been arranged wrongly, you can peel off the installation tape and change the cable's position.



Caution:



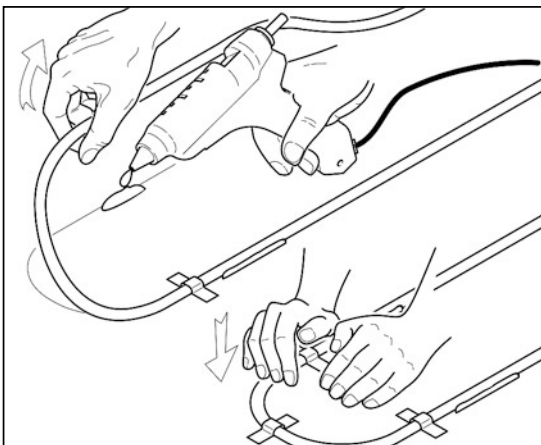
While the cable is being fixed, ensure an even distance between the cables.

Laying the cable should start from the cold tail side, so that the cold tail could easily reach the installation box.

Heating Cables

ELEKTRA

After the cable is laid, it should be hot-glued to the floor.



Caution:



While applying the hot glue, it is necessary to prevent the hot tip of the hot glue gun to come into contact with the heating cable.

Step III – After fixing the cable to the floor

When the cable has been fixed to the floor the following actions should be performed:

- make grooves in the subfloor to accommodate the mechanical joints – the one connecting the heating cable with supply conductor, and the one located at the end of the heating cable (the joint is thicker than the heating cable),
- place in the Warranty Card the product label sticker, to be found on the supply conductor of the heating cable,
- enter the heating cable cold tail into the installation box through the protective conduit mounted at the step 1: preparation,
- enter the temperature sensor cable into the installation box,
- seal the end of the temperature sensor's protective conduit with a rubber stopper, thus protecting the sensor against moisture,

Caution:



The temperature sensor cable should be positioned just between the heating cables.

Heating Cables

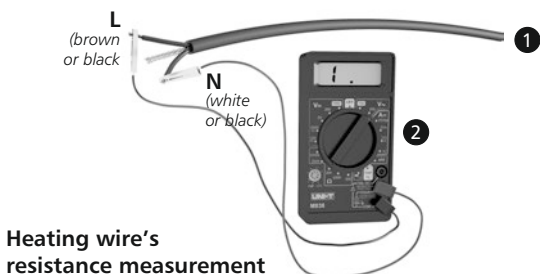
ELEKTRA

- make a sketch (or photograph) of the heating cable floor arrangement and the temperature sensor position in the Warranty Card,
- perform measurements:
 - heating wire resistance,
 - insulation resistance.

The measurement results of the heating core's resistance should not vary from the one given on the nameplate with more than -5% and +10%.

The insulation's resistance for the heating cable, as measured with a tool of the rated voltage 1000 V (e.g. megaohmmeter), should not be below 50 M Ω . Enter the results into the Warranty Card.

When the floor has been finished, repeat the measurements and compare the results to ensure that the heating cable has not been damaged while laying the floor.





Insulation resistance measurement

- ❶ Cold tails
- ❷ Ohmmeter
- ❸ Megaohmmeter

Step IV – Floor finishing

After the heating cables have been fixed to the subfloor, cover them with a thin layer of flexible tile adhesive or the self-levelling compound, ensuring that the cables are completely covered with mortar.

Never lead the end joint and the connecting joint between the heating cable and the power supply conductor out of the surface. Both joints must be placed within the layer of the concrete or self-levelling slab.

Caution:



When the floor finishing works have been completed, it is necessary to repeat the measurements of the:

- heating wire resistance,
- insulation resistance.

Enter the results into the Warranty Card.

Step V – Temperature controller installation

Connection of the heating cable with household wiring should be made by a certified electrician.

Connections of the following cables with the temperature controller:

1. power supply cables of the electric system,
2. heating cable's cold tails,
3. temperature sensor.

In the temperature controller installation box, should be carried out according to the instructions included in the controller's installation manual.

Caution:



The heating cable's screen (PE) should be connected to the earth (yellow and green) of the household wiring with a special terminal \perp on the temperature controller.

If there is no such terminal on the temperature controller's housing, the connection should be made separately using a wire connector which will be placed in the installation box.

If several heating cables were installed in the room, connect them in parallel, i.e. cables with the same markings (the same colour) should lead to the same terminals on the temperature controller.

Shock Protection

The electrical system, to which the heating cable is connected should be equipped with a residual current device (RCD) rated at $\Delta \leq 30\text{mA}$.

Operation

The floor temperature of the heating system is limited by setting the desired temperature in the controller.

Note that the entire floor or a large part of it serves as a heater. Hence, heat dissipation from the floor should always remain unhindered by furniture or by the way the room is used.

For that reason, do not place large footprint objects on the heated sections of the floor, such as mattress or furniture pieces without feet which have large contact surface with the floor.

Holes can be drilled in the floor only after the exact arrangement of the heating cables has been determined (based on the as-built documentation or measurements taken with a special detector).

Warranty

ELEKTRA provides a 20-year Warranty (from the purchase date) for the ELEKTRA heating cables.

Warranty conditions

1. For the warranty to apply, the following is required:
 - a) the heating system was installed in compliance with this manual,
 - b) connections of the heating cable and temperature controller to the electrical system of the house, as well as resistance measurements of the heating wire's and insulation resistance were performed by a certified electrician,
 - c) Warranty Card with required entries is included,
 - d) proof of purchase for the heating cable is included,
 - e) electrical system supplying power to the heating cable is equipped with a circuit breaker.
2. The Warranty is void if persons other than an ELEKTRA-certified installer attempted to repair the product.
3. The Warranty does not cover:
 - a) mechanical damage,
 - b) damage due to unsuitable power supply,

- c) damage resulting from electrical connection performed in violation of the regulations in force.
- 4. As part of the Warranty service, ELEKTRA undertakes to reimburse all costs incurred solely in connection with repairing or replacing a defective heating cable.
- 5. The Warranty covering the purchased commercial goods does not exclude, limit or suspend other Buyer's rights resulting from the incompatibility of the goods purchased with the agreement of purchase.

Note:

Warranty claims with included Warranty Card and the retail sales receipt must be filed with the dealer or with the ELEKTRA Company.

Warranty Card

Customer shall keep this Warranty Card throughout the entire warranty period of 20 years. The warranty period starts from the date of product purchase.

Heating Cables

ELEKTRA

INSTALLATION SITE

Address	
Zip code	City

Warranty claims with included Warranty Card and the retail sale receipt must be filled with the dealer.

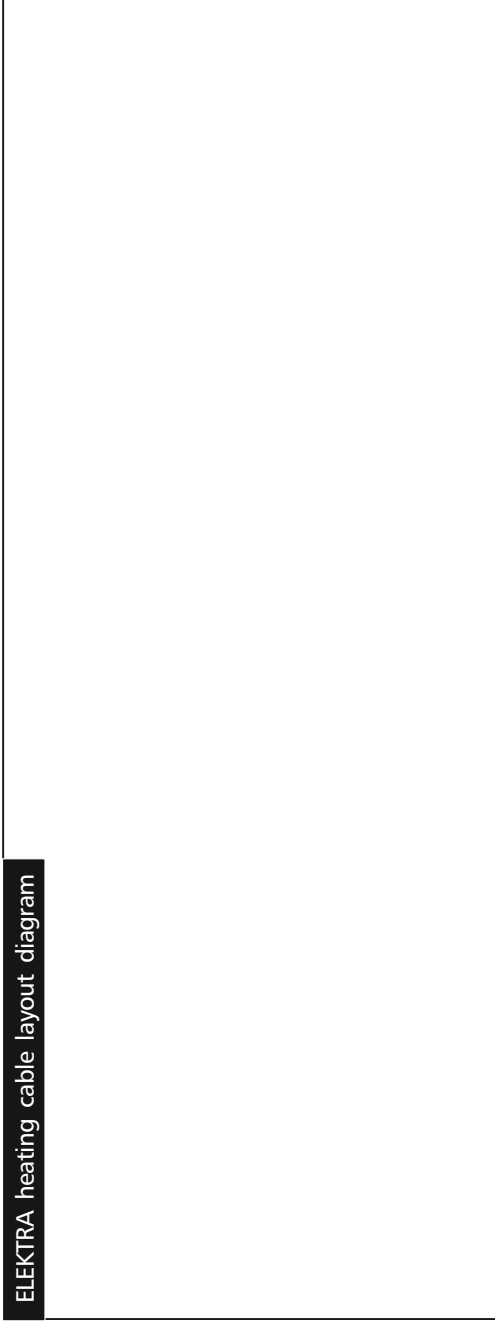
TO BE FILLED BY INSTALLER

Name, surname	Electrician's certificate #
Address	E-mail
Zip code	City
	Phone #
	Fax #

Note: Installer has to provide as-built documentation to the user.



ELEKTRA heating cable layout diagram



Note: The layout diagram must include distances between the heating cable and walls and fixed furniture with a clearly marked position of the temperature sensor and of heating cables.



Heating wire and insulation's resistance	
after the heating cable is laid, before the flooring is completed	Ω
	$M\Omega$
after the flooring is completed	Ω
	$M\Omega$

Date	
Installer's signature	
Company stamp	

Caution: The measurement results of the heating core's resistance should not vary from the one given on the nameplate with more than -5% and +10%. Resistance of the heating wire insulation should be at least 50 $M\Omega$ when measured with a megohmmeter (Insulation Resistance Tester) with a rated voltage of 1000V.



NOTE!

**Place the self-adhesive rating plate
attached to the product here
(must be carried out prior to installing
the heating system)**


Cienkie przewody grzejne
ELEKTRA DM
ELEKTRA UltraTec



- Jednostronnie zasilane
o mocy jednostkowej 10 W/m

Installation manual  UK

Instrukcja montażu  PL 

Инструкция по монтажу  RU

Zastosowanie

Cienkie przewody grzejne ELEKTRA DM i ELEKTRA UltraTec przeznaczone są przede wszystkim do ogrzewania pomieszczeń, w których wykończeniem podłogi jest terakota lub marmur.

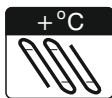
Materiałami wykończeniowymi podłogi mogą być również:

- wykładzina dywanowa
- wykładzina PCV
- parkiet i inne pokrycia drewniane
- panele podłogowe

Wykładzina dywanowa oraz wykładzina PCV powinny posiadać odpowiedni atest i być opatrzone znakami:



wykładzina
dywanowa



wykładzina
PCV

Cienkie przewody grzejne można układać na posadzkach betonowych i wylewkach samopoziomujących, jak również na starych płytkach ceramicznych, lastryku, czy na płytach wiórowych odpornych na wilgoć.

Podłogi ogrzewane powinny mieć warstwę izolacji cieplnej, aby ograniczyć straty ciepła. Przewody układa się w cienkiej warstwie elastycznego kleju lub wylewce samopoziomującej. Stosowane są zazwyczaj jako uzupełniający system ogrzewania podłogowego w celu uzyskania ciepłej podłogi. Mogą również stanowić podstawowy system grzejny.

Charakterystyka

- produkowane są w gotowych zestawach o długości od 8,5 do 203,0 m
- zakończone są z jednej strony ekranowanym przewodem zasilającym o długości 2,5 m, z drugiej strony mufą
- moc jednostkowa – 10W/m
- napięcie zasilania – 230V 50/60Hz
- przewody grzejne są ekranowane, a ich podłączenie do instalacji elektrycznej poprzez wyłącznik różnicowo-prądowy stanowi skuteczną ochronę przeciwporażeniową

Przewody grzejne **ELEKTRA DM**

Średnica zewnętrzna przewodu – 4,3 mm

Przewody grzejne **ELEKTRA UltraTec**

Wymiary zewnętrzne przewodu – 2 x 3 mm



- 1 Przewód zasilający „zimny”
- 2 Przewód grzejny
- 3 Mufa łącząca przewód grzejny z przewodem zasilającym

Przewody grzejne **ELEKTRA UltraTec**, z uwagi na niewielką grubość, stosuje się tam, gdzie nie można zbyt wysoko podnieść poziomu podłogi.

Uwaga:



Wartość mocy przewodów grzejnych może się różnić +5%, -10% od parametrów podanych na tabliczce znamionowej.

Przewody grzejne wykonane są na napięcie znamionowe 230V/50 Hz.

Na tabliczce znamionowej znajduje się następujący piktogram:



Przewód grzejny zasilany jednostronnie

Materiały i narzędzia

wymagane do instalacji przewodu grzejnego

- przewód grzejny – w opakowaniu ELEKTRA
- rurka ochronna (peszel) – w opakowaniu o długości 1,5 m.
- rurka ochronna (peszel) – w opakowaniu o długości 2,5 m zakończona z jednej strony korkiem gumowym
- pogłębiona puszka elektryczna – w opakowaniu
- taśma montażowa – w opakowaniu
- regulator temperatury – w opakowaniu **opcja**

- nożyce
- omomierz
- megaomomierz
- narzędzia do wykucia bruzd w ścianie i posadzce

Uwaga:



Nigdy nie można przeciąć przewodu grzejnego.

Nigdy nie można skracać przewodu grzejnego, jedynie przewód zasilający może być skracany, jeśli jest to konieczne.

Nigdy nie należy spłaszczać „zimnego złącza”.

Uwaga:



Nigdy nie należy wykonywać samodzielnych napraw przewodu grzejnego, a w przypadku uszkodzenia przewodu należy to zgłosić instalatorowi uprawnionemu przez firmę ELEKTRA.

Nigdy nie należy przewodu poddawać nadmiernemu naciąganiu i naprężaniu oraz uderzeniom ostrymi narzędziami.

Nigdy nie należy układać przewodu grzejnego ELEKTRA DM, jeżeli temperatura otoczenia spadnie poniżej -5°C , a dla przewodu UltraTec -20°C .

Nigdy nie należy instalować przewodu w miejscach, gdzie przewidziano stałą zabudowę (np. szafy bez nóżek).

Nigdy nie należy wyprowadzać mufy zakończeniowej oraz łączącej przewód grzejny z zasilającym poza podłogę. Obie mufy muszą znajdować się w warstwie wylewki betonowej lub wylewki samopoziomującej.

Nigdy nie należy zginać mufy połączeniowej i zakończeniowej.

Nigdy do montażu nie należy stosować materiałów innych niż zalecane w instrukcji.

Nigdy do montażu przewodu nie należy stosować gwoździ ani śrub.

Uwaga:



Przewody grzejne należy **zawsze** instalować zgodnie z instrukcją.

Podłączenie przewodu do sieci elektrycznej **zawsze** należy powierzyć instalatorowi z uprawnieniami elektrycznymi.

Przewód grzejny powinien być **zawsze** oddalony od innych źródeł ciepła (np. od rur z ciepłą wodą) nie mniej niż 25 mm.

Informacje ogólne

Wybierając przewód grzejny należy:

1. Określić rodzaj ogrzewania – czy instalacja grzejna ma pełnić rolę ogrzewania pomocniczego w celu uzyskania ciepłej podłogi, czy rolę ogrzewania podstawowego.
2. Określić materiał wykończeniowy podłogi.

Ogrzewanie pomocnicze ciepła podłoga

W celu uzyskania ciepłej podłogi zazwyczaj wystarczy zainstalować przewody grzejne, które pozwolą na uzyskanie mocy na 1 m² powierzchni podłogi:

- 100 – 120 W/m² – dla posadzek ceramicznych i kamiennych
- 100 W/m² – dla posadzek z cienkiego parkietu, paneli laminowanych, wykładziny dywanowej oraz PCV

Zainstalowanie większej mocy na 1 m² (tylko dla posadzki z płytek ceramicznych lub marmuru) jest konieczne dla skrócenia czasu nagrzewania posadzki w przypadkach, w których ogrzewanie nie działa w sposób ciągły, np. w pokojach hotelowych, biurach itp. oraz w przypadku zastosowania regulatorów temperatury z programatorem wykorzystującym czasowe obniżki temperatury.

Ogrzewanie podstawowe

Jeżeli instalacja ogrzewania podłogowego ma pełnić rolę ogrzewania podstawowego w pomieszczeniu, wartość mocy grzewczej jaką należy zainstalować zależy od:

- strefy klimatycznej w jakiej znajduje się obiekt
- izolacji budynku
- szczelności okien
- powierzchni posadzki, na której można ułożyć przewody grzejne (powierzchni wolnej od stałej zabudowy)

Ogrzewanie podstawowe (jedyne źródło ciepła) wymaga zaprojektowania instalacji ogrzewania i jego sterowania przez projektanta, dystrybutora lub wykwalifikowanego instalatora.

Posadzki ceramiczne i kamienne

Przewody grzejne nie mogą być układane w odstępach mniejszych niż:

- 4 cm dla przewodu grzewczego UltraTec
- 5 cm dla przewodu grzewczego DM

Posadzki z cienkiego parkietu, paneli laminowanych, wykładziny dywanowej oraz PCV

Przy tego typu posadzkach, przewody grzejne należy układać w odstępach min. 10 cm, co pozwala uzyskać moc grzewczą - 100 W/m² powierzchni podłogi.

Przewody Grzejne

ELEKTRA

Wybierając typ przewodu grzejnego należy wyliczyć jego moc grzejącą:

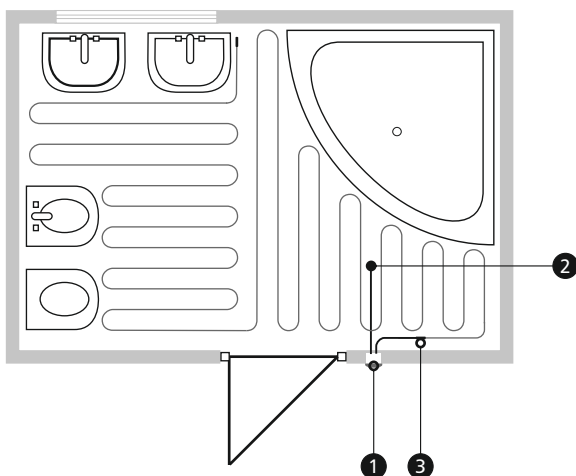
$$\text{Moc przewodu grzejnego} = P \times S$$

gdzie:

P – założona moc na 1 m² posadzki

S – powierzchnia posadzki przeznaczona do ogrzania

Następnie dobieramy przewód grzejny o mocy najbardziej zbliżonej do mocy wyliczonej.



- ❶ Puszka elektryczna
- ❷ Czujnik temperatury
- ❸ Mufa łącząca przewód grzejny z przewodem zasilającym

Regulacja temperatury

Nieodzownym elementem systemu ogrzewania podłogowego jest regulator temperatury.

Za pomocą regulatora podłączamy przewód grzejny do instalacji elektrycznej. Regulator zapewnia pożądaną temperaturę podłogi lub powietrza.

- Jeżeli przewody grzejne są jedynie uzupełnieniem istniejącego już (podstawowego) systemu grzewczego, to użytkownika interesuje ciepła podłoga - wówczas należy zastosować regulator temperatury wyposażony wyłącznie w czujnik podłogowy, który pozwala na utrzymanie pożądaney temperatury podłogi.
- Jeżeli przewody grzejne są podstawowym źródłem ogrzewania, to użytkownika interesuje uzyskanie optymalnej temperatury powietrza w pomieszczeniu – wówczas należy zastosować regulator temperatury mierzący temperaturę powietrza, tzn. regulator z czujnikiem powietrznym i zabezpieczającym czujnikiem podłogowym (ten typ regulatora mierzy temperaturę powietrza, a jednocześnie czujnik podłogowy zabezpiecza podłogę i przewód grzejny przed przegrzaniem).

Do sterowania temperatury można zastosować regulator elektroniczny, który utrzymuje stałą temperaturę lub regulator elektroniczny z programatorem posiadający możliwość programowania temperatury w cyklu dziennym oraz tygodniowym.

Przewody Grzejne

ELEKTRA

typ ogrzewania	typ regulatora temperatury	
	elektroniczny	elektroniczny programowalny
podstawowe	ELEKTRA OTD2 1999	ELEKTRA OCD4 1999 OCD5 1999
pomocnicze ciepła podłoga	ELEKTRA OTN 1991 OTD2 1999	ELEKTRA OCD4 1999 OCD5 1999 DIGI2p



Czujnik temperatury

Regulator temperatury
można umieścić we wspólnej ramce
z wyłącznikiem oświetlenia

Montaż

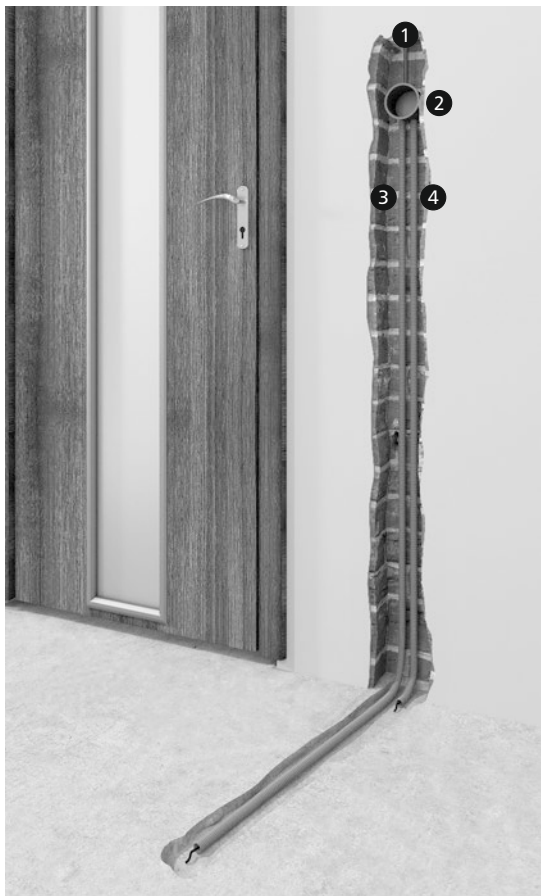
ETAP I – etap prac elektrycznych

Na tym etapie należy:

1. Wybrać miejsce na regulator temperatury - ze względów estetycznych i praktycznych najlepiej obok wyłączników oświetlenia (regulator można instalować we wspólnej ramce z wyłącznikami oświetlenia).
2. Zainstalować pogłębioną puszkę elektryczną, w której zostanie umieszczony regulator temperatury.
3. Do puszki elektrycznej należy doprowadzić przewód zasilający (trójżyłowy).
4. Z puszki elektrycznej należy wyprowadzić 2 rurki ochronne typu peszel (średnica 15 mm) do posadzki. Należy umieścić je w uprzednio wykonanych bruzdach w ścianie oraz w posadzce. Głębokość bruzdy w posadzce, powinna wynieść min. 15 mm i sięgać w głąb ogrzewanej powierzchni min. 50 cm. Do jednej z rurek (2,5 m) wprowadzony zostanie (na etapie instalacji przewodu grzejnego) przewód z czujnikiem temperatury, do drugiej (1,5 m) przewód zasilający przewodu grzejnego.

Przewody Grzejne

ELEKTRA



- 1 Przewód zasilający
- 2 Pogłębiona puszka elektryczna - zostanie w niej zainstalowany regulator temperatury
- 3 Rurka ochronna - w tej rurce umieszczony będzie czujnik temperatury podłogi
- 4 Rurka ochronna - do tej rurki wciągnięte będą przewody zasilające

Uwaga:



Rurki ochronne na styku ściany z posadzką nie mogą być zgięte pod kątem prostym (należy zachować kształt łuku).

Kształt łuku rurek ochronnych ma pozwolić na ewentualną wymianę czujnika temperatury.

Jeżeli strefa ogrzewana nie będzie znajdowała się bezpośrednio przy ścianie, na której będzie zainstalowany regulator temperatury – przypadek, kiedy rurka ochronna będzie sięgała w głąb posadzki ponad 1,0 m – należy zainstalować przy podłodze przelotową puszkę elektryczną. Takie rozwiązanie ułatwi wymianę czujnika podłogowego w przypadku takiej konieczności.

Tzw. „pilot” – elastyczny przewód umieszczony w rurekach, pozwoli w prosty sposób wprowadzić przewód czujnika podłogowego oraz przewody zasilające maty do pogłębionej puszkę elektrycznej – dopiero po otynkowaniu lub ułożeniu glazury.

ETAP II – instalacja przewodu grzejnego

Podłoże na którym będą układane przewody należy wyrównać, oczyścić i koniecznie zagruntować, co umożliwi przyklejenie przewodu grzejnego do podłoża za pomocą kleju na gorąco.

Przed przystąpieniem do układania wybranego przewodu grzejnego należy:

- obliczyć odstępy z jakimi należy układać przewód grzejny
- wyrysować na posadzce miejsca, w których planowana jest stała zabudowa (szafy, szafki kuchenne, wanna, brodzik, toaleta)

Odstępy z jakimi należy układać przewód, można obliczyć rozrysowując rozłożenie przewodu lub ze wzoru:

$$a-a = \frac{S}{L+0,5P}$$

gdzie:

- a-a – odstępy między przewodami
- S – pole powierzchni podłogi na której będzie układany przewód grzejny
- L – długość przewodu grzejnego
- P - obwód podłogi, na której będzie rozkładany przewód

Układanie przewodu grzejnego należy zacząć od strony przewodu zasilającego w taki sposób, aby przewód zasilający mógł „dosięgnąć” do puszek elektrycznej.

Przewód grzejny należy rozłożyć, omijając elementy stałej zabudowy i wstępnie przymocować go samoprzylepną taśmą montażową zachowując obliczone wcześniej odstępy.

Przewód grzejny powinien być oddalony od ścian i stałej zabudowy na odległość równą zaplanowanym odstępom między przewodami.

Jeśli zostało źle rozplanowane ułożenie przewodu grzejnego, można odkleić taśmy montażowe i zmienić ułożenie.



Uwaga:



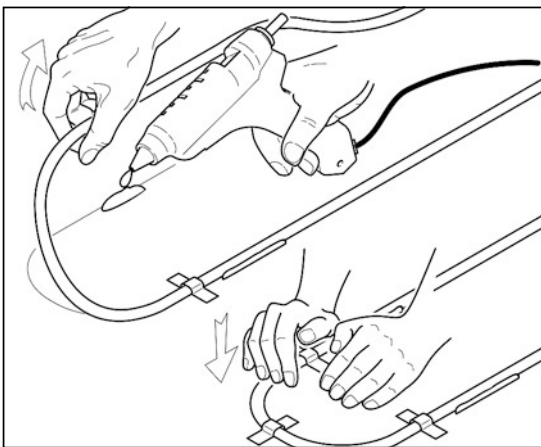
Należy zachować jednakowe odległości między przewodami.

Układanie przewodu grzejnego należy zacząć od strony przewodu zasilającego w taki sposób, aby przewód zasilający mógł „dosięgnąć” do puszki elektrycznej.

Przewody Grzejne

ELEKTRA

- po rozłożeniu przewodu grzejnego należy przykleić go do podłoża



Uwaga:

Nie wolno doprowadzić do kontaktu rozgrzanej końcówki pistoletu z przewodem.



ETAP III – po przyklejeniu przewodu do podłoża

należy:

- podkuć miejsca pod mufą łączącą przewód grzejny z przewodem zasilającym i pod mufą znajdującą się na końcu przewodu grzejnego (mufa jest grubsza od przewodu grzejnego)
- wkleić w Karcie Gwarancyjnej samoprzylepną tabliczkę znamionową, która jest umieszczona na przewodzie zasilającym przewodu grzejnego
- wprowadzić do puszkii elektrycznej przewód zasilający przewodu grzejnego poprzez rurkę ochronną zainstalowaną na etapie prac elektrycznych
- wprowadzić do puszkii elektrycznej przewód z czujnikiem temperatury
- zaślepić koniec rurki ochronnej, w której znajduje się czujnik temperatury, korkiem gumowym, zabezpieczając w ten sposób czujnik przed wilgocią

Uwaga:



Przewód z czujnikiem temperatury powinien znajdować się w równej odległości między przewodami grzejnymi.

Przewody Grzejne

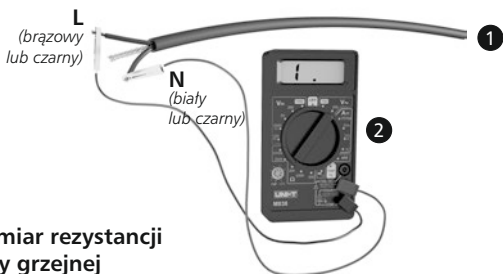
ELEKTRA

- wykonać szkic ułożenia przewodu grzejnego i położenia czujnika temperatury w Karcie Gwarancyjnej (lub zdjęcie)
- wykonać pomiary:
 - rezystancji żyły grzejnej
 - rezystancji izolacji

Wynik pomiaru rezystancji żyły grzejnej nie powinien różnić się od wartości podanej na tabliczce znamionowej o więcej niż -5%, +10%.

Rezystancja izolacji przewodu grzejnego zmierzona przyrządem o napięciu znamionowym 1000V (np. megaomierz) nie powinna być mniejsza od 50 M Ω . Wyniki należy wpisać do Karty Gwarancyjnej.

Po wykonaniu posadzki pomiary należy powtórzyć, a wyniki porównać, aby przekonać się, czy w trakcie wykonywania posadzki przewód nie został uszkodzony.



Pomiar rezystancji żyły grzejnej



Pomiar rezystancji izolacji

- ❶ Przewody zasilające
- ❷ Omomierz
- ❸ Megaomomierz

ETAP IV – wykonanie posadzki

Po przyklejeniu przewodów grzejnych należy pokryć je cienką warstwą elastycznego kleju lub wylewką samopoziomującą tak, aby przewód był całkowicie zatopiony w zaprawie.

Nigdy nie należy wyprowadzać mufy zakończeniowej oraz łączącej przewód grzejny z zasilającym poza podłogę. Obie mufy muszą znajdować się w warstwie wylewki betonowej lub wylewki samopoziomującej.

Uwaga:



Po wykonaniu posadzki należy ponownie wykonać pomiary:

- rezystancji żyły grzejnej
- rezystancji izolacji

Wyniki należy wpisać do Karty Gwarancyjnej.

ETAP V – montaż regulatora temperatury

Podłączenie przewodu grzejnego do instalacji elektrycznej powinno być wykonane przez instalatora posiadającego uprawnienia elektryczne.

Podłączenie przewodów:

1. zasilających sieci elektrycznej
2. zasilających „zimnych” przewodu grzejnego
3. czujnika temperatury

w puszcze elektrycznej z regulatorem temperatury należy wykonać zgodnie ze schematem opisanym w instrukcji regulatora.

Uwaga:



Przewód ochronny przewodu grzejnego (ekran) należy połączyć razem z przewodem ochronnym (zielono-żółtym) instalacji elektrycznej za pomocą specjalnego zacisku \perp w regulatorze temperatury.

Jeżeli takiego zacisku nie ma, podłączenie to należy wykonać oddzielnie, za pomocą złączki rozgałęźnej (kostki), którą umieszczamy w puszcze instalacyjnej.

Jeżeli w pomieszczeniu zainstalowany został więcej niż jeden przewód grzejny, to przewody należy połączyć równolegle, tzn. przewody jednoimienne (w tym samym kolorze) do tego samego zacisku regulatora.

Ochrona przeciwporażeniowa

Instalacja zasilająca przewód grzejny powinna być wyposażona w wyłącznik różnicowoprądowy o czułości $\Delta \leq 30\text{mA}$.

Eksplatacja

Obsługa systemu grzejnego ogranicza się do nastawienia pożądanej temperatury podłogi za pomocą regulatora temperatury.

Należy pamiętać, że grzejnikiem jest cała powierzchnia podłogi (lub jej część), dlatego nie wolno wprowadzać takich zmian w umeblowaniu, czy w przeznaczeniu pomieszczeń, które utrudniłyby oddawanie ciepła z ogrzewanej podłogi.

Z tego samego powodu nie należy stawiać na podłodze dużych powierzchniowo przedmiotów, np. materacy czy mebli bez nóg, które całą powierzchnią przylegałyby do podłogi.

W podłodze wolno wiercić otwory, ale dopiero po upewnieniu się, gdzie ułożone są przewody grzejne maty (na podstawie dokumentacji powykonawczej lub trasy przewodu grzejnego maty zlokalizowanej odpowiednim przyrządem).

Gwarancja

ELEKTRA udziela 20-letniej gwarancji (licząc od daty zakupu) na przewody grzejne ELEKTRA.

Warunki gwarancji

1. Uznanie reklamacji wymaga:
 - a) wykonania instalacji grzewczej zgodnie z niniejszą instrukcją montażu
 - b) podłączenia przez instalatora posiadającego uprawnienia elektryczne
 - przewodu grzejnego
 - regulatora temperaturydo instalacji elektrycznej i wykonania pomiarów
 - rezystancji żyły grzejnej
 - rezystancji izolacji
 - c) przedstawienia poprawnie wypełnionej Karty Gwarancyjnej
 - d) dowodu zakupu przewodu grzejnego
 - e) wyposażenia instalacji zasilającej obwód grzejny w wyłącznik różnicowo - prądowy
2. Gwarancja traci ważność w przypadku dokonywania napraw przez osoby inne niż instalator uprawniony przez firmę ELEKTRA.
3. Gwarancja nie obejmuje uszkodzeń spowodowanych:
 - a) uszkodzeniami mechanicznymi
 - b) niewłaściwym zasilaniem

- c) wykonaniem instalacji elektrycznej niezgodnie z obowiązującymi przepisami
4. ELEKTRA w ramach gwarancji zobowiązuje się do poniesienia kosztów związanych wyłącznie z naprawą wadliwego przewodu grzejnego lub jego wymianą.
5. Gwarancja na sprzedany towar konsumpcyjny nie wyłącza, nie ogranicza ani nie zawiesza uprawnień kupującego wynikających z niezgodności towaru z umową.

Uwaga:



Reklamacje należy składać wraz z Kartą Gwarancyjną oraz dowodem zakupu w miejscu sprzedaży przewodu grzejnego lub w firmie ELEKTRA.

Karta Gwarancyjna

Karta gwarancyjna musi być zachowana przez Klienta przez cały okres gwarancji tj. 20 lat. Okres gwarancji obowiązuje od daty zakupu.

Przewody Grzejne

ELEKTRA

MIEJSCE INSTALACJI

Adres	
Kod pocztowy	Miejscowość

Reklamacje należy składać wraz z niniejszą Kartą Gwarancyjną oraz dowodem zakupu w miejscu sprzedaży

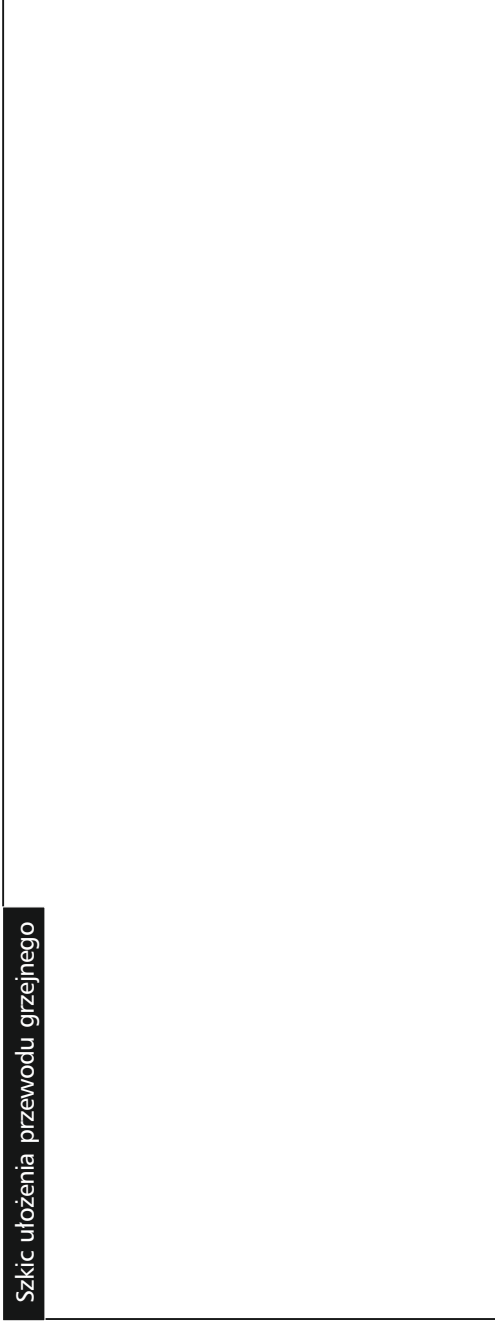
WYPEŁNIA INSTALATOR

Imię i nazwisko	Numer uprawnień elektrycznych:	
Adres	E-mail	
Kod pocztowy	Miejscowość	Tel.
		Fax

Uwaga: Instalator zobowiązany jest dostarczyć dokumentację powykonawczą użytkownikowi.



Szkic ułożenia przewodu grzejnego



Uwaga: Szkic powinien zawierać odległości przewodu grzejnego od ścian pomieszczenia lub stałej zabudowy, miejsce ułożenia czujnika temperatury oraz przewodów zasilających.



Rezystancja żyły i izolacji przewodu grzejnego

po ułożeniu przewodu grzejnego, przed wykonaniem posadzki	Ω
	$M\Omega$
po wykonaniu posadzki	Ω
	$M\Omega$

Data	
Podpis instalatora	
Pieczętka firmy	

Uwaga: Wynik pomiaru rezystancji żyły grzejnej nie powinien różnić się od wartości podanej na tabliczce znamionowej o więcej niż -5%, +10%. Rezystancja izolacji przewodu grzejnego zmierzona megaiomierzem o napięciu znamionowym 1000V nie powinna być mniejsza od 50 $M\Omega$.



UWAGA!

**Tu należy wkleić samoprzylepną
tabliczkę znamionową,
która umieszczona jest na produkcji
(należy wykonać przed
zainstalowaniem ogrzewania)**

**Тонкие
нагревательные кабели**

ELEKTRA DM

ELEKTRA UltraTec



- Двухжильные кабели
- мощность 10 Вт/м

Installation manual  UK

Instrukcja montażu  PL

Инструкция по монтажу  RU 

Применение

Нагревательные кабели ELEKTRA DM и ELEKTRA UltraТес для обогрева полов на подготовленном основании с покрытием керамической плиткой, или натуральным камнем.

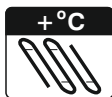
Также в качестве покрытия могут применяться такие материалы, как:

- ковровые покрытия
- покрытия ПВХ
- паркет и другие деревянные покрытия
- ламинат

Ковровые покрытия и покрытия ПВХ должны иметь соответствующий сертификат с обозначенным знаком:



ковровые
покрытия



покрытия
ПВХ

Нагревательные провода могут быть смонтированы на любом основании: на бетонных полах, на существующей (старой) керамической плитке, тераццо, влагонепроницаемых древесно-стружечных плитах.

Полы с подогревом должны иметь слой изоляции для уменьшения потерь тепла.

Могут применяться в качестве базовой системы обогрева или быть дополнением к уже существующей системе.

Характеристика

- производится в готовых комплектах длиной от 8,5 до 203 м
- с одной стороны имеет экранированный провод питания длиной 2,5 м с другой стороны муфты
- мощность - 10 Вт/м
- напряжении 220 - 230В 50/60Гц
- нагревательные кабели имеют экранированный провод, провода питания должны быть оснащены защитным выключателем чувствительностью.

Нагревательные кабели **ELEKTRA DM**

Наружный диаметр провода - 4,3 мм

Нагревательные кабели **ELEKTRA UltraTec**

Внешние размеры провода - 2 x 3 мм



- 1 Провод питания
- 2 Нагревательный кабель
- 3 Муфта, соединяющая нагревательный кабель с проводом питания

Нагревательные кабели **ELEKTRA UltraTec** применяется там, где нет возможности повышать уровень пола.

Внимание:



Мощности нагревательных кабели могут отличаться: +5%, -10% из перечисленных на таблице.

Нагревательные кабели работают при номинальном напряжении 220/230В/50Гц.

На щитке номинального напряжения найдите следующего пиктограмма:



Двухжильные кабели
одностороннего питания

Материалы и инструменты

необходимые для монтажа
нагревательного кабеля

- нагревательный кабель ELEKTRA – в упаковке
 - защитные трубка длиной 1,5 м – в упаковке
 - защитные трубка длиной 2,5 м закрытая с одного конца резиновой пробкой – в упаковке
 - монтажная коробка – в упаковке
 - самоклеящийся скотч – в упаковке
 - терморегулятор – в упаковке
- опция**
- ножницы
 - омметр
 - мегаомметр
 - инструмент для вырубки штробы

Внимание:



Запрещается перерезать нагревательный кабель.

Запрещается укорачивать нагревательный кабель, можно сокращать только длину провода питания, если в этом есть необходимость.

Запрещается становливать переход нагревательного кабеля в провод питания.

Внимание:



Запрещается самому осуществлять ремонт нагревательного кабеля, а в случае повреждения кабеля необходимо сообщить об этом квалифицированному электрику, уполномоченному фирмой ELEKTRA.

Запрещается подвергать кабель чрезмерному механическому напряжению и растяжению а также ударам острыми инструментами.

Запрещается укладывать кабель, если окружающая температура ниже -5°C , а кабель UltraТес -20°C .

Запрещается устанавливать кабель в местах предусмотренной стационарной (долговременной) застройки (например, в местах запланированного монтажа шкафа беж ножек).

Запрещается выводить концевую и соединительную муфту из-под стяжки. Обе муфты должны находиться в стяжке или выравнивающем растворе. Изгибать соединительную муфту нельзя.

Для установки кабеля **запрещается** применять материалы, не рекомендованные инструкцией.

Для установки кабеля **запрещается** применять гвозди или шурупы.



Внимание:

Нагревательный кабель устанавливать всегда в соответствии с инструкцией. Присоединение кабеля к электросети доверять только квалифицированному электрику, обладающему соответствующими разрешениями.

Нагревательный кабель должен всегда быть отдалён от других источников тепла как минимум на 25мм (например, от труб с тёплой водой).

Общая информация

При выборе нагревательного кабеля следуйте следующим инструкциям:

1. Определите тип системы отопления – будет это просто дополнительная или основная система отопления.
2. Определите отделочный материал пола.

Дополнительный обогрев теплого пола

Для получения дополнительного теплого пола достаточно установить нагревательный кабель, следующей мощности:

- 100 – 120 Вт/м² – для керамических и каменных полов.
- 100 Вт/м² – для полов из тонкого паркета, ламината, ковров и ПВХ

Установка большей мощности на 1 м² (только с терракотовыми полами и мрамором) необходима для сокращения времени нагрева пола в тех случаях, когда отопление не работает в непрерывном режиме таких как гостиничные номера, офисы и т.д., и при использовании для контроля нагрева систем термостатов с программатором, который использует временное снижение температуры.

Основные отопление

Если полы с подогревом является основным отоплением в номере, необходимая мощность зависит от:

- климатической зоны, в которой находится здание
- строительной изоляции
- утечек тепла через окна
- поверхности пола, на которые можно уложить нагревательные кабели (незанятой поверхности)

Основные отопление (единственный источник тепла) требует разработки система отопления и его контроля со стороны дизайнера, дистрибьютор или квалифицированного монтажника.

Керамические и каменные полы

Нагревательные кабели не должны быть размещены с интервалом меньше, чем:

- 4 см для нагревательного кабеля UltraTec
- 5 см для нагревательного кабеля DM

Полы из тонкого паркета, ламината, ковров и ПВХ

С этим типом пола, нагревательные кабели могут быть установлены с интервалом мин. 10 см, в результате чего мощность нагрева достигает – 100 Вт/м².

Нагревательные Кабели ELEKTRA

Для надлежащего выбора нагревательного кабеля сначала необходимо рассчитать необходимую тепловую мощность:

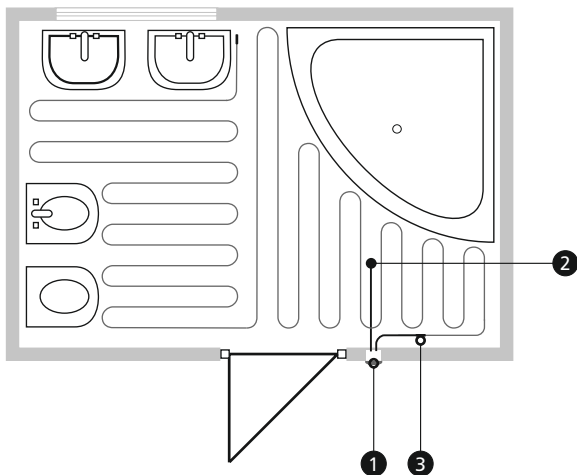
$$\text{Мощность нагревательного кабеля} = P \times S$$

Где:

P – предполагаемая мощность на 1 м² пола

S – площадь подогреваемого пола

Затем выбираем нагревательный кабель с мощностью близкой к расчетной мощности.



- 1 Монтажная коробка
- 2 Датчик температуры
- 3 Муфта, соединяющая нагревательный кабель с проводом питания

Регулировка температуры

Неотъемлемым элементом системы обогрева полов является регулятор температуры. С помощью терморегулятора подключаем мат к электросети. Терморегулятор обеспечивает необходимую температуру пола или воздуха.

- Если нагревательные кабели являются только дополнением существующей (основной) обогревательной системы тогда следует применить терморегулятор, который оснащён только датчиком температуры пола, позволяющим поддерживать требуемый температурный режим пола.
- Если нагревательные кабели - основной источник обогрева помещения и потребителя интересует получение оптимальной температуры воздуха в помещении - тогда необходимо применить терморегулятор, измеряющий температуру воздуха, иначе говоря регулятор с воздушным индикатором (датчиком) и предохранительным датчиком пола (этот тип регулятора измеряет температуру воздуха, а предохранительный датчик одновременно с этим предохраняет пол и нагревательный мат от перегрева).

Для управления температурой можно применить электронный терморегулятор, который поддерживает постоянную температуру или электронный программируемый терморегулятор, с помощью которого можно задать суточную или недельную программу поддержания температуры пола.

Нагревательные Кабели ELEKTRA

Тип обогрева	Тип терморегулятора	
	электронный	электронный программируемый
основное	ELEKTRA OTD2 1999	ELEKTRA OCD4 1999 OCD5 1999
вспомогательное	ELEKTRA OTN 1991 OTD2 1999	ELEKTRA OCD4 1999 OCD4 1999 DIGI2p



Терморегулятор

можно разместить в одной рамке
с выключателем света



Датчик температуры

Установка

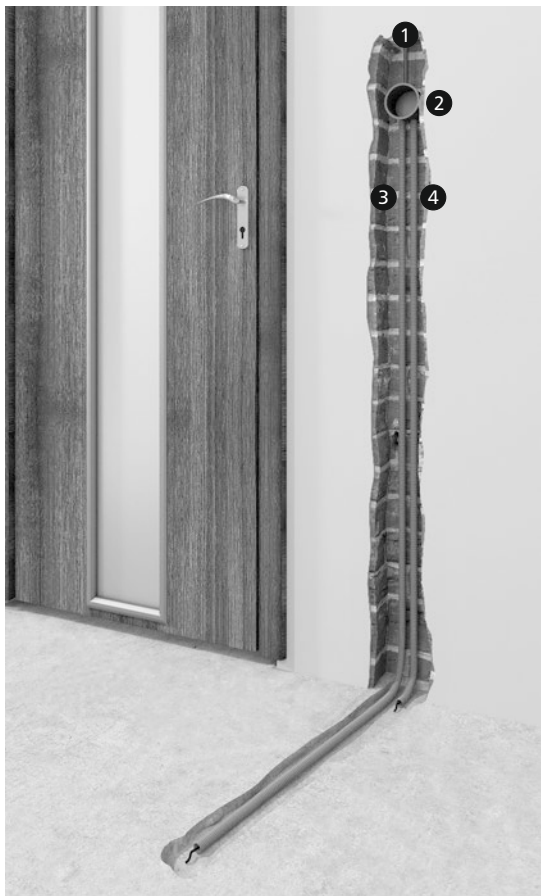
ЭТАП I – этап электро- монтажных работ

На этом этапе следует:

1. Выбрать место для терморегулятора
 - с эстетической и практической точек зрения, терморегулятор лучше всего размещать рядом с выключателями света (терморегулятор можно разместить в одной совместной рамке с выключателем света).
2. Установить электрическую монтажную коробку, в которой будет размещён терморегулятор.
3. К электрической монтажной коробке необходимо подвести провод питания (трёхжильный).
4. С электрической коробки необходимо вывести в пол 2 защитные трубки типа
 - гофротрубы (диаметром 15 мм). Трубки следует разместить в предварительно вырубленных в стене и полу линейных углублениях. Глубина углублений в полу должна составить 15 мм и проникнуть в отапливаемую площадь на 50 см. В одну из трубок (2,5 м) будет введен (на этапе монтажа кабеля) кабель с датчиком температуры, во вторую (1,5 м) - «холодные» соединительные провода.

Защитные трубки в местах соединения стены с полом нельзя сгибать под прямым углом (следует сохранить дугообразную форму).

Нагревательные Кабели ELEKTRA



- 1 Питающие провода электросети
- 2 Монтажная коробка
и терморегулятор
- 3 Гофрированная трубка
для датчика температуры пола
- 4 Гофрированная трубка для «холодных»
концов нагревательного кабеля

Внимание:



Не сгибайте гофрированные трубки под углом 90° в месте соединения стены и пола — они должны иметь дугообразную форму. Это необходимо для свободной замены датчика температуры.

Если расстояние от стены до обогреваемого участка пола больше 1,0 м, то при монтаже датчика температуры пола необходимо в нижней части стены установить дополнительную монтажную коробку. Такое решение значительно облегчит установку и замену температурного датчика.

При использовании гофрированной трубки с зондой установка датчика теплого пола вместе с холодными концами возможна после нанесения штукатурки или приклеивания плитки.

ЭТАП II – укладка нагревательного кабеля

Основание, на котором укладываются нагревательные кабели, должно быть ровным, гладким, сухим, стабильным и обязательно асфальтировано. Это позволит прикрепить кабельную подложку с помощью горячего клея.

Перед установкой нагревательного кабеля необходимо:

- вычислить интервал, в котором нагревательный кабель должен быть установлен
- обозначить на полу места под стационарные предметы (шкафы, кухонные шкафы, ванны, душевой поддон, туалет)

Шаг укладки проводов может быть рассчитан по формуле:

$$a-a = \frac{S}{L+0,5P}$$

где:

- $a-a$ – шаг укладки провода
- S – площадь поверхности пола, где нагревательный кабель будет проложен
- L – длина нагревательного кабеля
- P – периметр пола, на котором размещён кабель

Прокладка нагревательного кабеля должна начинаться таким образом, чтоб шнур питания достигал электрической коробки.

Положите нагревательный кабель так чтобы избежать укладки непосредственно под неподвижной мебелью, зафиксируйте монтажной лентой.

Нагревательный кабель должен быть на расстоянии от стены и прочих конструкций, равном шагу укладки кабеля.

После укладки кабель должен быть зафиксирован клеевым пистолетом.

Если неправильно была устроена расположение нагревательного кабеля могут быть очищены от сборочных линий и изменения ее макета.



Внимание:

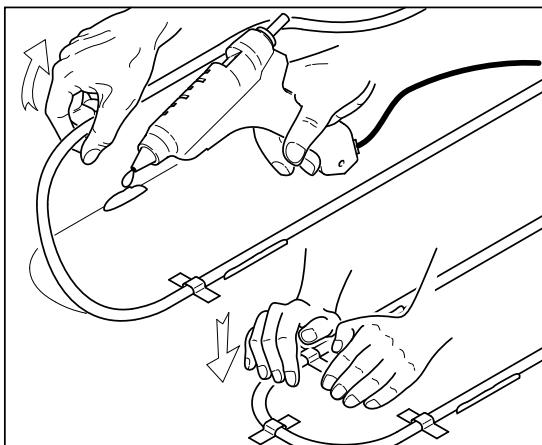


Должна быть равна расстоянию между проводами.

Монтаж нагревательного кабеля должен начинаться от провода питания таким образом, что провода питания досадали до распределительной коробки.

Нагревательные Кабели ELEKTRA

- после установки нагревательных кабелей приклеить их к полу с помощью горячего клея



Примечание:



При применении клеевого пистолета не допускайте контакт горячего кончика пистолета и кабеля.

ЭТАП III – после прилипания нагревательного кабеля

После фиксации кабеля к полу должны быть выполнены следующие действия:

- высечь в полу углубления для муфты, соединяющей нагревательный кабель с кабелем питания (муфта толще нагревательного кабеля)
- самоклеящуюся табличку, которая расположена на шнуре питания нагревательного кабеля наклеить в гарантийный талон
- выдолбить место под муфтой, где соединяются нагревательные кабели и холодные концы (муфта толще нагревательного кабеля)
- вывести в электромонтажную коробку провод датчика температуры
- конец защитной трубы в которой находится датчик температуры закрыть резиновой пробкой. Таким образом защитите датчик от влажности.

Внимание:



Кабель с датчиком температуры должен находиться на равном расстоянии между нагревательными кабелями.

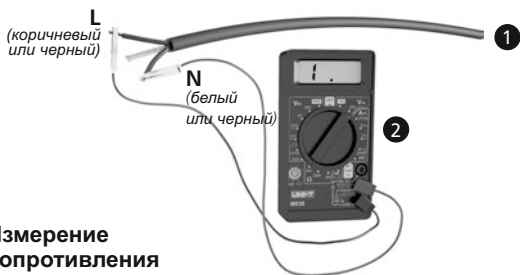
Нагревательные Кабели ELEKTRA

- сделать схему раскладки нагревательного кабеля и провода датчика температуры в гарантийном талоне
- сделать измерения
 - сопротивление нагревательного кабеля
 - сопротивление изоляции

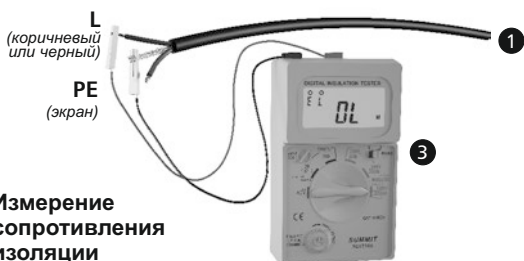
Результат измерения сопротивления провода не должен отличаться от значений, указанных на табличке более чем -5%, +10%.

Сопротивление изоляции нагревательного кабеля, измеренное мегаомметром с номинальным напряжением 1000В не должно быть меньше 50MΩ. Результаты измерений необходимо занести в Гарантийную Карту.

После установки напольного покрытия, измерения необходимо повторить и результаты сравнить между собой. Это необходимо для того, чтобы убедиться в том, что нагревательный кабель не был повреждён в процессе монтажа.



**Измерение
сопротивления
нагревательного кабеля**



Измерение сопротивления изоляции

- ❶ провода питания
- ❷ омметр
- ❸ мегаомметр

ЭТАП IV – выполнение покрытия

После фиксации нагревательные кабели должны быть покрыты тонким слоем эластичного клея или самовыравнивающегося состава, таким образом, чтобы кабель был полностью погружен в раствор.

Начало и конец нагревательного кабеля (черные коннекторы) не могут выходить наружу основания и должны быть полностью погружены в раствор.

Внимание:



После установки напольного покрытия, необходимо снова сделать измерения:

- сопротивление нагревательного кабеля;
- сопротивление изоляции.

Результаты должны быть записаны в гарантийном талоне.

ЭТАП V – монтаж регулятора температуры

Присоединение нагревательного кабеля к электросети должно осуществляться квалифицированным электриком, обладающим соответствующими документами подтверждающими его квалификацию.

Присоединение проводов:

1. питающих проводов электросети
2. питающих «холодных» проводов соединяющих нагревательный мат
3. датчика температуры

Монтаж в электрической коробке с регулятором температуры следует осуществлять согласно схеме, описанной в инструкции регулятора температуры.

Внимание:



Защитные провода мата (PE) следует соединять вместе с защитным проводом (экрэн) электросети с помощью специального зажима \perp в терморегуляторе. Если такого зажима нет, присоединение необходимо осуществить отдельно при помощи клеммника, который устанавливается в монтажной коробке.

Если в помещении устанавливается больше одного мата, их следует подсоединить параллельно, то есть одинаковые провода к одному зажиму в терморегуляторе.

Защита от поражения ТОКОМ

Подключение нагревательного мата должно быть оснащено устройством дифференциальной защиты с током утечки $\Delta \leq 30\text{mA}$.

Эксплуатация

Обслуживание нагревательной системы ограничивается установкой желаемой температуры на терморегуляторе.

Следует помнить о том, что нагревателем является вся поверхность пола или её часть и поэтому нельзя вносить в расстановку мебели и назначение помещений такие изменения, которые могли бы усложнить отдачу тепла обогреваемым полом.

Поэтому также не следует устанавливать на полу предметов, занимающих значительную площадь, например матрасы или мебель без ножек, которые всей своей поверхностью соприкасаются с полом.

В полу можно сверлить отверстия, после уточнения мест трассирования нагревательных проводов кабеля (на основании документации проведения монтажных работ или трасы нагревательного провода, определённой соответствующим инструментом).

Гарантия

ELEKTRA предоставляет 20-летнюю гарантию (срок действия гарантийных обязательств исчисляется начиная с даты приобретения) на нагревательные кабели ELEKTRA.

Условия гарантии

1. Гарантийная поддержка осуществляется, если:
 - а) нагревательная система установлена в соответствии с настоящей инструкцией монтажа
 - б) присоединение нагревательного кабеля и регулятора температуры к электросети а также измерение сопротивления кабеля и изоляции нагревательного кабеля было осуществлено квалифицированным электриком, обладающим соответствующими документами подтверждающими его квалификацию.
 - в) Гарантийная Карта заполнена в соответствии с требованиями
 - г) имеется документ, подтверждающий приобретение нагревательного мата (чек, счёт-фактура)
 - д) провода, питающие систему обогрева оснащены защитным выключателем.
2. Гарантия теряет силу в случае осуществления ремонта лицами не уполномоченными фирмой ELEKTRA

3. Гарантия не распространяется на повреждения, полученные в результате:
 - а) механических повреждений
 - б) несоответствующего электроснабжения
 - в) осуществления монтажа электросистемы без соблюдения инструкции.
4. ELEKTRA обязуется в рамках гарантийного обязательства покрыть только стоимость ремонта дефектного нагревательного кабеля.

Внимание:



С рекламациями обращаться по месту приобретения нагревательного кабеля или в фирму ELEKTRA, предоставляя при этом Гарантийную Карту и чек, подтверждающий приобретение кабеля.

Гарантийный Талон

Гарантийный талон должен храниться у клиента в течение всего периода гарантии 20 лет. Срок действия гарантии начинается с даты покупки нагревательного кабеля.

Нагревательные Кабеля ELEKTRA

МЕСТО УСТАНОВКИ

Адрес	
Почтовый индекс	Город

Претензии
предъявлять по месту
покупки при наличии
Гарантийного Талона
и товарного чека

Заполняет МОНТАЖНИК

Фамилия и имя	Номер свидетельства на право осуществлять электроработы
Адрес	E-mail
Почтовый индекс	Город
	Тел.
	Факс

Внимание: Монтажник обязан предоставить полную документацию выполненных работ.



Чертеж установки нагревательного кабеля ELEKTRA

Внимание: Чертеж должен содержать расстояние нагревательного кабеля от стен или крупногабаритной мебели, место расположения датчика температуры и «холодных» концов.



сопротивление кабеля и изоляции нагревательного кабеля	
после установки нагревательного кабеля до установки пола	Ω
	M Ω
после установки пола	Ω
	M Ω

Дата	
Подпись монтажника	
Печать компании	

Внимание: Результат измерения сопротивления провода не должен отличаться от значений, указанных на табличке более чем -5%, +10%. Сопротивление изоляции нагревательного кабеля , измеренная мегаомметром с номинальным напряжением 1000 В не должно быть меньше 50 M Ω .



ПРИМЕЧАНИЕ:
Разместите здесь
самоприклеяющуюся табличку с данными,
приложенную к продукту
(должна быть приклеена до установки
нагревательной системы)

